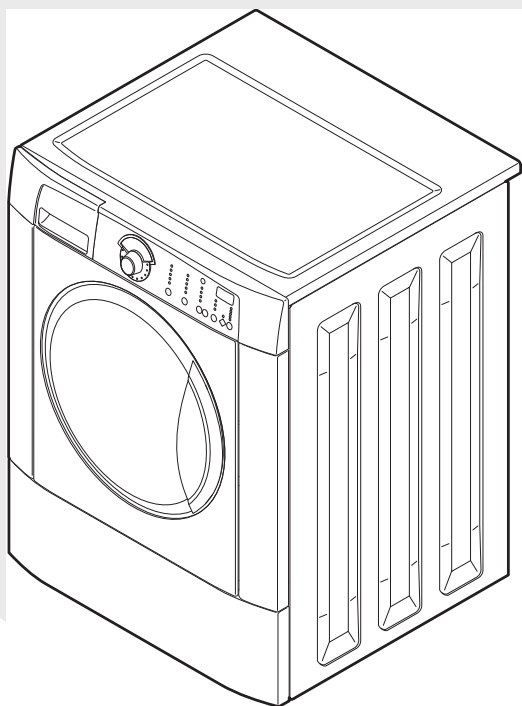


UNIVERSAL/MULTIFLEX

Factory Parts Catalog



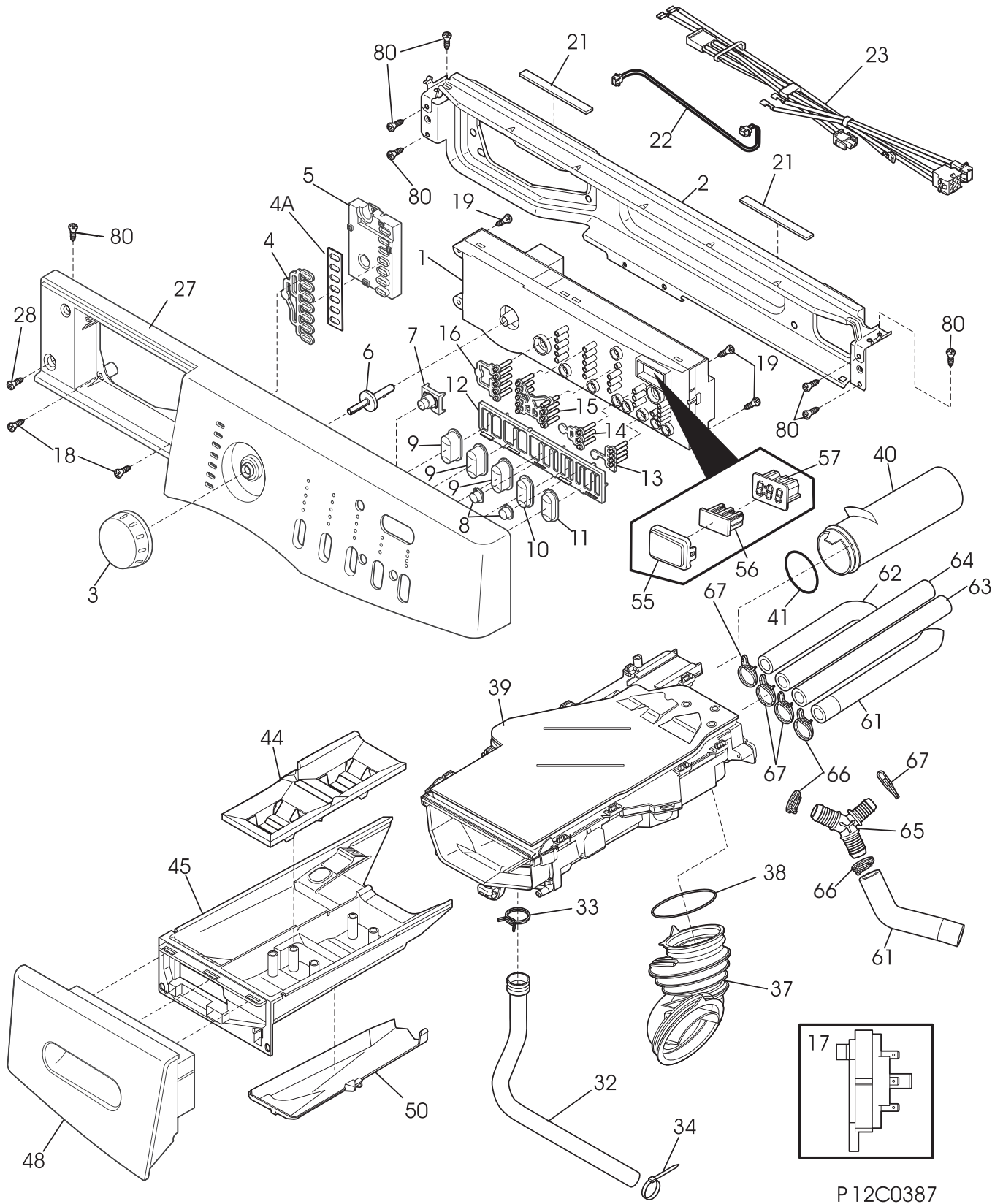
Product No.	MLF125BZKS0
Market	Export
Color	white
Volts	220v 50hz
Wiring Diagram	137171400
Owner's Guide	137486300

FRONT-LOAD WASHING MACHINE

Model No.
MLF125BZK

Publication No.
5995613022
12/05/18
(EN/SERVICE/SLS)
154

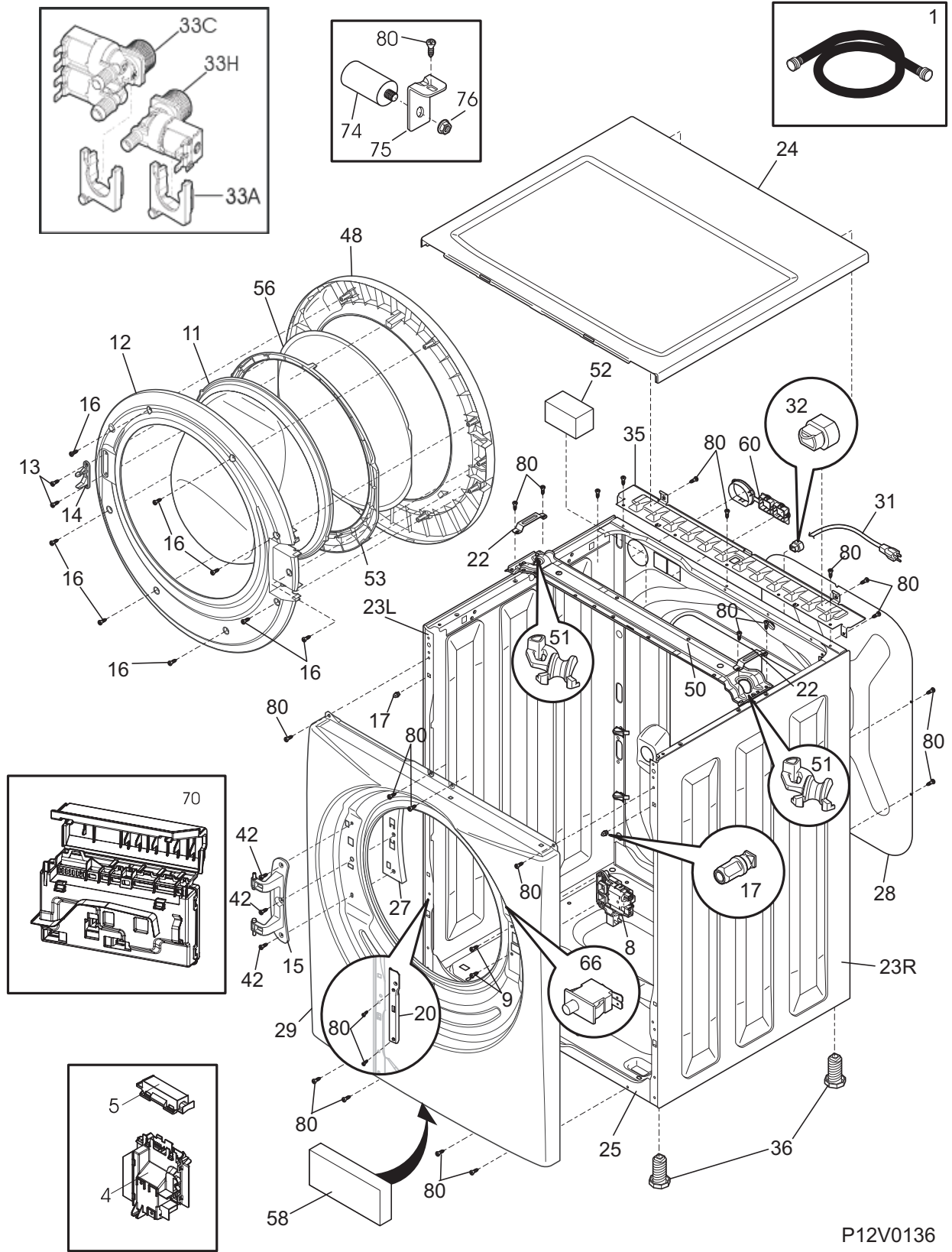
CONTROL PANEL



CONTROL PANEL

POS. NO	PART NO.	DESCRIPTION
1 #	137035210	Control Board, pc, with housing
2	134364800	Bracket, top front
3	134551200	Knob, program
4	134553100	Light Pipe, program
4A	134823400	Gasket, light pipe, program
5 #	134825400	Interface Board, pc, auxiliary
6	134347700	Pin, program knob
7	134555600	Push Button, round, #2
8	134555500	Push Button, round, #1
9	134553400	Push Button, oval, #1
10	134555400	Push Button, oval, #2 (soil)
11	134595600	Push Button, oval, start
12	134553300	Spring, push button
13	134557500	Light Pipe, start group
14	134557400	Light Pipe, row of 3
15	134552800	Light Pipe, 5 x 4
16	134600000	Light Pipe, row of 5
17 #	134762010	Switch, pressure
18	131302800	Screw, quadrex ph, 10-16AB x 0.5
19	134402910	Screw, Phillips, 6-19 x 0.65
21	134407900	Dampener, vibration
22 #	134602100	Wiring Harness, interface board
23 #	137245400	Wire harness, main
27	137482910	Panel, Decorated Dryer, Control Trim
28	137087000	Screw, 10--16X.75
32	134586500	Hose, disp-to-bellows
33	137087504	Clamp
34	5303321209	Cable Tie, 5.60 inch
37	134372300	Hose, disp-to-tub
38	134372400	Clamp, tub hose
39	137045800	Housing, dispenser
40	134821700	Tube, disp-to-overflo
41	134372200	O-ring, overflow tube
44	134370210	Cover, dispenser
45	134370000	Drawer, dispenser
48	137482600	Handle, drawer, dispenser
50	134370100	Conveyor, dispenser, lower
55	134553200	Lens, digital display
56	134557300	Light Pipe, digital display
57 #	134503300	Display, digital
61	134822200	Hose, water inlet, Green line
62	134822201	Hose, water inlet, no line
63	134822203	Hose, water inlet, red line
64	134822202	Hose, water inlet, blue line
65	134822100	Connector, Y
66	137087506	Clamp
67	137087505	Clamp
80	134547800	Screw, 10-16AB x 0.375

CABINET/TOP

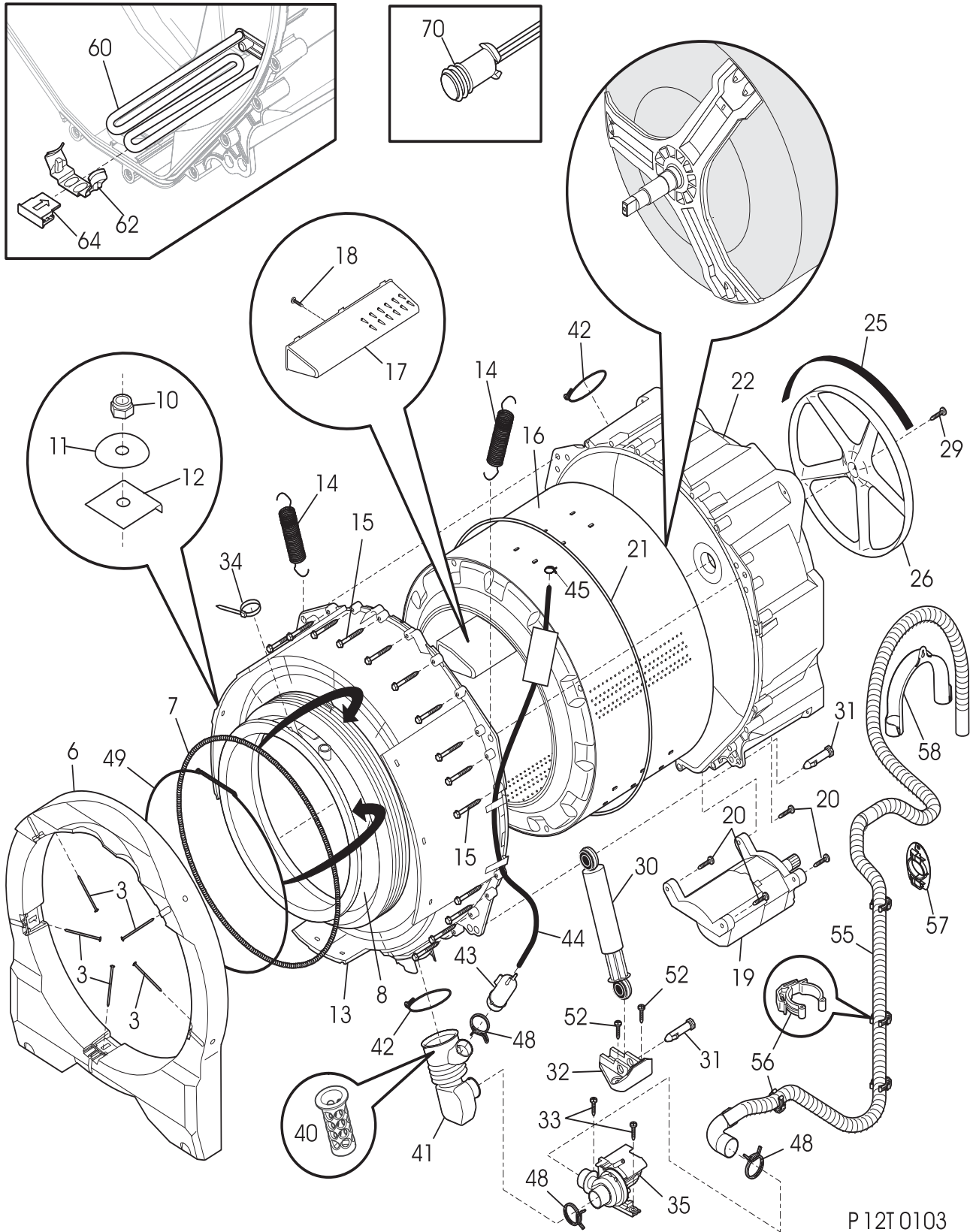


P12V0136

CABINET/TOP

POS. NO	PART NO.	DESCRIPTION
1	5304468117	Hose, water inlet, cold
1	5304468118	Hose, water inlet, hot
1*	5304468116	Washer, inlet hose
4 #	5304485924	Control Board, motor
5	134823600	Cover, motor control
8 #	134820360	Door Lock/Switch Assy
8*	134823500	Protector, door lock, front
8*	134823700	Protector, door lock, rear
8*	134823901	Harness, door lock
9	131303300	Screw, pan head, 10-16AB x 0.500, locking
11	134366420	Panel, door glass
12	134550702	Frame, inner door, gray
13	131302901	Screw, 10-16 x 0.750
14	134456602	Striker, door/lock, gray
15	134550800	Hinge, door, with bushings
16	137087000	Screw, 10--16X.75
17	134638700	Clip, assembly
20	134434901	Bracket, LS panel, reinforcement
20*	134434900	Bracket, RS panel, reinforcement
22	134648500	Bracket-spring, retainer
23L	134775310	Panel, left side, white
23R	134775210	Panel, right side, white
24	137371700	Panel, work top, white
25	134775500	Base, washer
27	134550900	Bracket, hinge, reinforcement
28	134364300	Panel, service access, rear
29	137021810	Panel, front, white
29*	137021600	Bracket, mounting, left, front panel
29*	137021610	Bracket, mounting, right, front panel
31 #	137109840	Power Cord, electric svce, Export
32	5303209428	Bushing, strain relief
33A	134821500	Support, valve
33C#	5304468124	Valve, water (Cold), 220/240V
33H#	5304468125	Valve, water (Hot), 220/240V
35	134365100	Bracket, top support, rear
36	134548800	Leveling Leg, screw, plastic
42	137380600	Screw, M5 x, 0.8 x 17.50
48	134601510	Panel, outer door, platinum
48*	134554500	Pad, outer door
50	134645600	Bracket, tub suspension
51	134655800	Protector, tub suspension, spring hook, (2)
52	131931202	Dampener, vibration, foam
53	134551300	Ring, door transition
56	134550600	Glass, outer door lens
58	131800405	Insulation, noise absorber
60	134821300	Grommet, dispenser, back panel
66 #	134824800	Door Switch Assy, with boot
66*	134823800	Cover, door switch
70	137043220	Asmy-main board, main electronic
74	5304468121	Filter, anti, interference
75	134395410	Bracket, filter support
76	137094400	Nut, with washer
80	134547800	Screw, 10-16AB x 0.375
*	134591500	Plug Assy, shipping holes, back
*	134629400	Screw, MC5X8.5 TORX, cabinet mtg
*	134876500	Clip, hose, drain, rear-panel
*	134889700	Clip, hose, drain, rear-panel

MOTOR/TUB



P12T0103

MOTOR/TUB

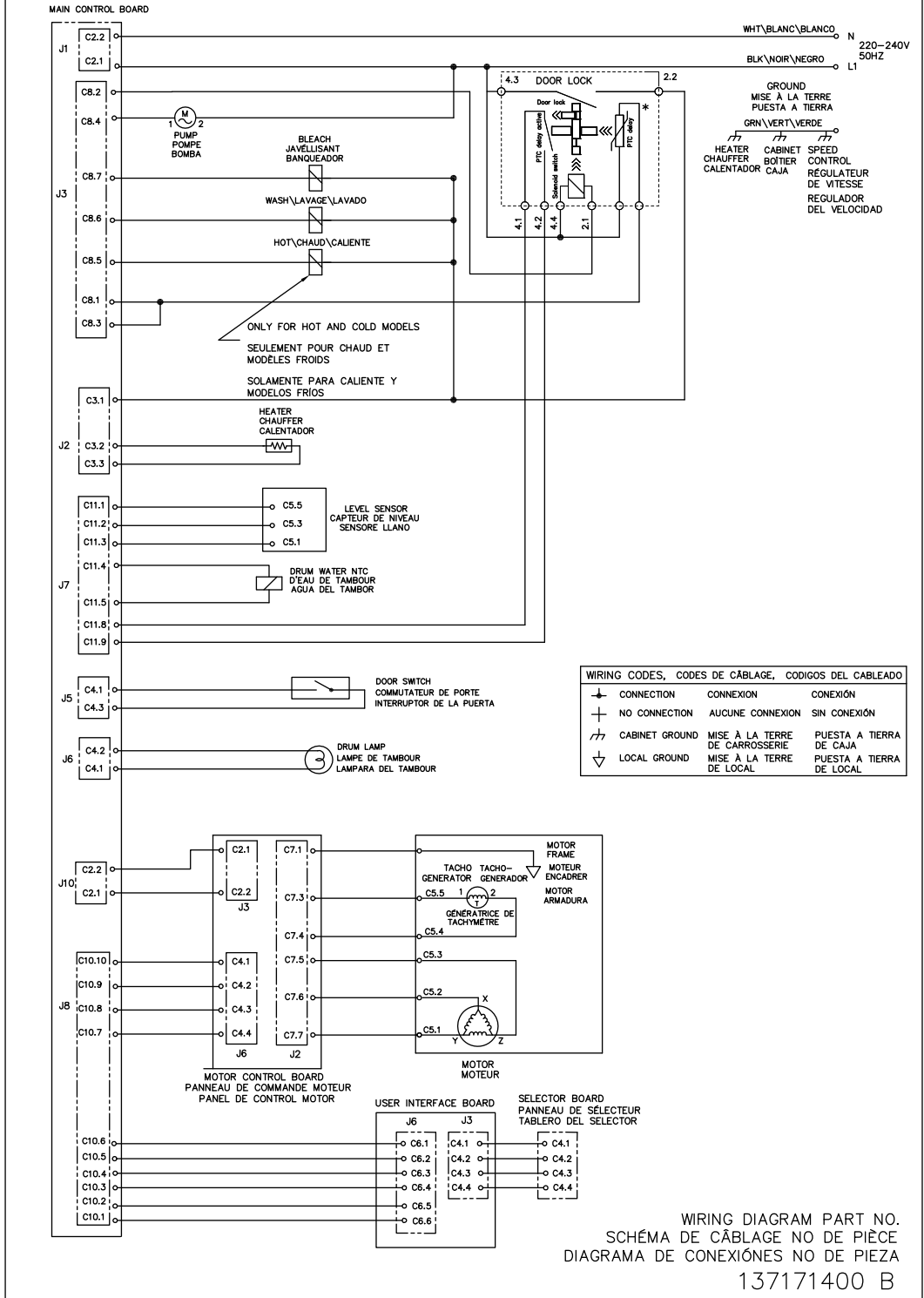
POS. NO	PART NO.	DESCRIPTION
3	131793303	Bolt, carriage, 1/4-20 x 2.60
6	134362200	Counterweight, front, one piece
7	134365300	Spring, bellows clamp, retainer
8 #	137045600	Bellows Kit, boot, w/light hole
10	137086500	Nut, hex, 1/4-20 UNC-2B
11	131276900	Washer, Bellville, spring steel
12	134430600	Plate, counterweight
13	134362000	Shell, tub, front
14 #	137099300	Spring Assy, suspension
15	137086700	Screw, 1/4-10X2.065
16	137105900	Drum Assy, spin basket
17	134361602	Vane Kit, drum
18	131302800	Screw, quadrex ph, 10-16AB x 0.5
19 #	134362520	Motor
19*	134823902	Harness, wiring, motor
20	137086600	Screw, 12-14x1.50
21	134361900	O-ring, tub
22	134721320	Shell, tub, rear, w/bearing, seal
25 #	134051003	Belt, drive, 6-rib
26 #	137317100	Pulley, drum drive, rear, large
29	134408400	Screw, 10.9 class, M10 x 25 mm
30	137320300	Shock Absorber, assembly
31	131268300	Pin, shock mtg.
32	134363200	Bracket, shock mtg.
33	134160900	Screw, washer hd, 10-16AB X 0.75
34	5303321209	Cable Tie, 5.60 inch
35 #	134824600	Pump, drain
40	137518800	Filter, pump, 36"
41	134455900	Hose, coin trap, tub-to-pump
42	134737300	Clamp, hose
43	134369000	Chamber, air
44	137088900	Pressure hose, assembly
45	137087500	Clamp, hose
48	137087503	Clamp, hose, wire
49	134527100	Clamp, bellows, spring held
52	137087400	Screw, #10-16 x .625
55 #	134889600	Hose, drain-one piece
56	134781400	Fastener, hose clip
57	134641100	Bracket, drain hose mtg, rear
58	137166600	Hanger, drain hose
60 #	5304485923	Heating Element, 1000 W, 230
62	134558000	Bracket, heating element
64	134558100	Stop, detente, heating element
70 #	137166500	Light Assembly, LED

WIRING DIAGRAM

WARNING TO REDUCE THE RISK OF ELECTRICAL SHOCK DISCONNECT THIS APPLIANCE FROM THE POWER SUPPLY BEFORE ATTEMPTING ANY USER MAINTENANCE. TURNING THE CONTROLS TO THE OFF POSITION DOES NOT DISCONNECT THIS APPLIANCE FROM THE POWER SUPPLY.

AVERTISSEMENT POUR RÉDUIRE LE RISQUE DE CHOC ÉLECTRIQUE, DÉBRANCHER CET APPAREIL DE L'ALIMENTATION AVANT DE PROCÉDER À L'ENTRETIEN. EN TOURNANT LES COMMANDES À LA POSITION ARRÊT, L'ON NE COUPE PAS L'ALIMENTATION ÉLECTRIQUE DE L'APPAREIL.

ADVERTENCIA PARA REDUCIR EL RIESGO DE CHOQUE ELÉCTRICO, DESENCHUFE ESTE APARATO DE LA ALIMENTACIÓN ELÉCTRICA ANTES DE EFECTUAR EL MANTENIMIENTO. AL GIRAR LOS CONTROLES A LA POSICIÓN OFF (APAGADO) NO SE CORTA LA ALIMENTACIÓN ELÉCTRICA AL ARTEFACTO.



WIRING CODES, CODES DE CÂBLAGE, CODIGOS DEL CABLEADO

Symbol	CONNECTION	CONNEXION	CONEXIÓN
+	CONNECTION	CONNEXION	CONEXIÓN
+	NO CONNECTION	AUCUNE CONNEXION	SIN CONEXIÓN
⏏	CABINET GROUND	MISE À LA TERRE DE CARROSSERIE	PUESTA A TIERRA DE CAJA
⏏	LOCAL GROUND	MISE À LA TERRE DE LOCAL	PUESTA A TIERRA DE LOCAL

WIRING DIAGRAM PART NO. SCHEMA DE CÂBLAGE NO DE PIÈCE DIAGRAMA DE CONEXIONES NO DE PIEZA 137171400 B